



THE NEW FIVE-SIDED ALPHA WELDING TABLE

Introducing the Alpha series, the toughest, flattest, hardest working welding tables from BuildPro by Strong HandTools.

The Alpha family consists of our 5 sided table systems, combined with our patent-exclusive, reversible, and replaceable top and side plates.

Precision ground steel plates, with CNC machined $\varnothing 16$ mm holes in a 50 x 50 mm grid pattern for locating, positioning and mounting BuildPro clamps & accessories.

Plates can be reconfigured to expand the width of the table for larger projects.

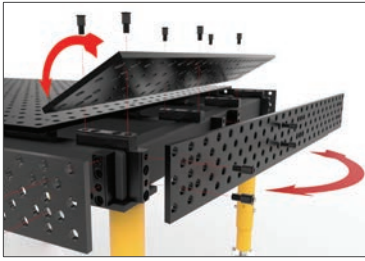
Heavy Duty Leveling Feet ensure proper leveling of the table on uneven surfaces.



Increase quality, consistency, and productivity while reducing scrap and setup times for repeating jobs.

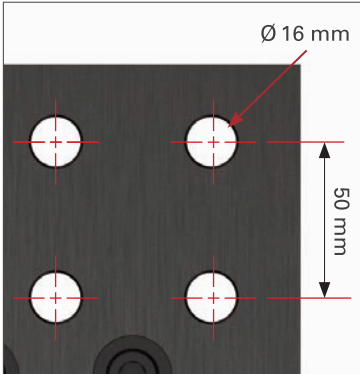


ALPHA TABLE OVERVIEW



REVERSIBLE Self-Locating Top & Side Plates

All BuildPro welding tables feature precision machined self-locating steel plates and reversible top plates; this enables each table plate to be removed and flipped 180 degrees to expose a new working surface if the top side has been damaged or worn down.



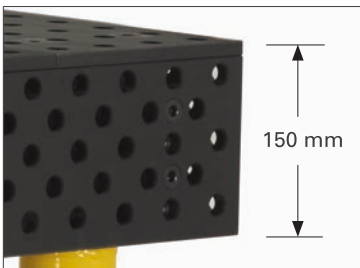
Alpha Table Accuracy

Table flatness: 0.3 mm / 1,000 mm

Hole spacing: 50 mm

Hole diameter: 16 mm

Plate thickness: 12 mm



Alpha Tabletop Side Height

The new five-sided tables feature a 138 mm side plate combined with the top plate to create a 150 mm height.

Alpha table side plates feature an extended 5 borehole pattern for added precision and adjust-ability.

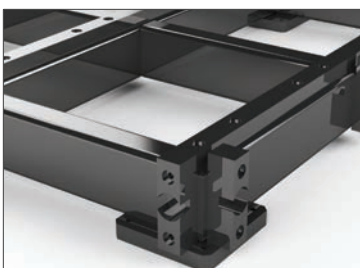


Plate Mounting Detail for Side Plates

Side Plates also use self locating bushing system.



Nitrided (Heat-Treated) Tabletop

All top and side plates of alpha table are constructed from heat-treated steel, hardened to 58-62 HRC(top) / 50-55 HRC(side), and finished with a nitrite coating with a case depth of 0.01 - 0.02 mm.

TABLE SURFACE DIMENSION: 3,000 X 1,500 MM

**All load capacities below are calculated based on static load.*



Part No.	TM603015FP-A1	TM603015FP-A2
Finish	Nitrided	Nitrided
Comes with Leg	6x TML3130	6x TML2530
Table Surface Height (mm)	917	767
Capacity / Leg (kg)	680	680
Gross Weight (kg)	841	834



Part No.	TM603015FP-B1
Finish	Nitrided
Comes with Leg	6x TMLR30
Table Surface Height (mm)	715 ~ 969
Capacity / Leg (kg)	680
Gross Weight (kg)	846

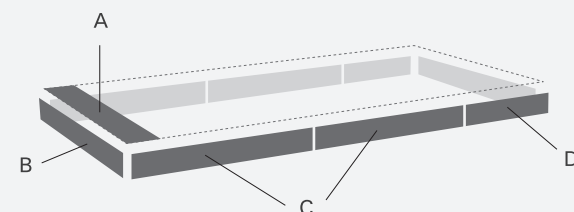


Part No.	TM603015FP-C1
Finish	Nitrided
Comes with Leg	6x TMLC30
Table Surface Height (mm)	835 ~ 1,090
Capacity / Leg (kg)	300
Gross Weight (kg)	861



ALPHA, 3,000 X 1,500 X 150 MM TABLETOP

Part No.	Finish	Dimension (mm)	Gross Weight (kg)
TM603015FP	Nitrided	3,000 x 1,500	802



INDIVIDUAL PLATES

Ref.	Part No.	Qty	Dimension (mm)	Weight (kg)	Thickness (mm)
A	TM603015FP-01	15	1,500 x 200	25.9	12
B	TM603015FP-04	2	1,488 x 138	16.7	
C	TM602412FP-03	4	1,200 x 138	13.5	
D	TM603015FP-06	2	588 x 138	7.2	

ALPHA TABLES

TABLE SURFACE DIMENSION: 2,400 X 1,200 MM

**All load capacities below are calculated based on static load.*



Part No.	TM602412FP-A1	TM602412FP-A2
Finish	Nitrided	Nitrided
Comes with Leg	6x TML3130	6x TML2530
Table Surface Height (mm)	917	767
Capacity / Leg (kg)	680	680
Gross Weight (kg)	621	614



Part No.	TM602412FP-B1
Finish	Nitrided
Comes with Leg	6x TMLR30
Table Surface Height (mm)	715 ~ 969
Capacity / Leg (kg)	680
Gross Weight (kg)	626

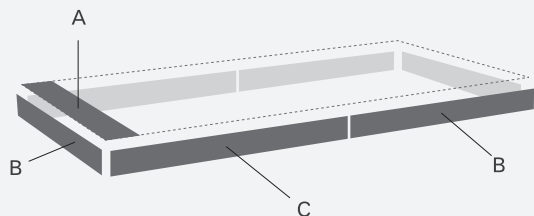


Part No.	TM602412FP-C1
Finish	Nitrided
Comes with Leg	6x TMLC30
Table Surface Height (mm)	835 ~ 1,090
Capacity / Leg (kg)	300
Gross Weight (kg)	641



ALPHA, 2,400 X 1,200 X 150 MM TABLETOP

Part No.	Finish	Dimension (mm)	Gross Weight (kg)
TM602412FP	Nitrided	2,400 x 1,200	582



INDIVIDUAL PLATES

Ref.	Part No.	Qty	Dimension (mm)	Weight (kg)	Thickness (mm)
A	TM602412FP-01	12	1,200 x 200	20.7	12
B	TM602412FP-04	4	1,188 x 138	13.4	
C	TM602412FP-03	2	1,200 x 138	13.5	

TABLE SURFACE DIMENSION: 2,000 X 1,000 MM

**All load capacities below are calculated based on static load.*



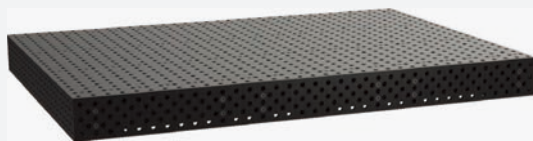
Part No.	TM602010FP-A1	TM602010FP-A2
Finish	Nitrided	Nitrided
Comes with Leg	6x TML3130	6x TML2530
Table Surface Height (mm)	917	767
Capacity / Leg (kg)	680	680
Gross Weight (kg)	448	441



Part No.	TM602010FP-B1
Finish	Nitrided
Comes with Leg	6x TMLR30
Table Surface Height (mm)	715 ~ 969
Capacity / Leg (kg)	680
Gross Weight (kg)	453

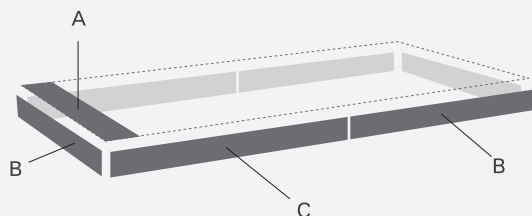


Part No.	TM602010FP-C1
Finish	Nitrided
Comes with Leg	6x TMLC30
Table Surface Height (mm)	835 ~ 1,090
Capacity / Leg (kg)	300
Gross Weight (kg)	468



ALPHA, 2,000 X 1,000 X 150 MM TABLETOP

Part No.	Finish	Dimension (mm)	Gross Weight (kg)
TM602010FP	Nitrided	2,000 x 1,000	409



INDIVIDUAL PLATES

Ref.	Part No.	Qty	Dimension (mm)	Weight (kg)	Thickness (mm)
A	TM602010FP-01	10	1,000 x 200	17.5	12
B	TM602010FP-04	4	988 x 138	11.4	
C	TM602010FP-03	2	1,000 x 138	11.5	

ALPHA TABLES

TABLE SURFACE DIMENSION: 1,500 X 1,000 MM

**All load capacities below are calculated based on static load.*



Part No.	TM601510FP-A1	TM601510FP-A2
Finish	Nitrided	Nitrided
Comes with Leg	4x TML3130	4x TML2530
Table Surface Height (mm)	917	767
Capacity / Leg (kg)	680	680
Gross Weight (kg)	327	322



Part No.	TM601510FP-B1
Finish	Nitrided
Comes with Leg	4x TMLR30
Table Surface Height (mm)	715 ~ 969
Capacity / Leg (kg)	680
Gross Weight (kg)	330

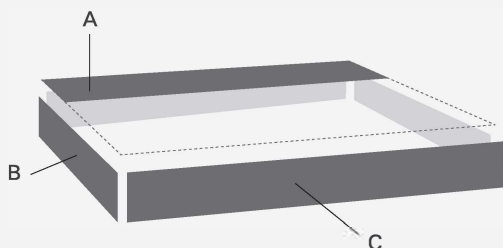


Part No.	TM601510FP-C1
Finish	Nitrided
Comes with Leg	4x TMLC30
Table Surface Height (mm)	835 ~ 1,090
Capacity / Leg (kg)	300
Gross Weight (kg)	340



ALPHA, 1,500 X 1,000 X 150 MM TABLETOP

Part No.	Finish	Dimension (mm)	Gross Weight (kg)
TM601510FP	Nitrided	1,500 x 1,000	301



INDIVIDUAL PLATES

Ref.	Part No.	Qty	Dimension (mm)	Weight (kg)	Thickness (mm)
A	TM603015FP-01	5	1,500 x 200	25.9	12
B	TM602010FP-04	2	988 x 138	11.4	
C	TM603015FP-04	2	1,488 x 138	16.7	

TABLE SURFACE DIMENSION: 1,200 X 1,200 MM

**All load capacities below are calculated based on static load.*



Part No.	TM601212FP-A1	TM601212FP-A2
Finish	Nitrided	Nitrided
Comes with Leg	4x TML3130	4x TML2530
Table Surface Height (mm)	917	767
Capacity / Leg (kg)	680	680
Gross Weight (kg)	314	309



Part No.	TM601212FP-B1
Finish	Nitrided
Comes with Leg	4x TMLR30
Table Surface Height (mm)	715 ~ 969
Capacity / Leg (kg)	680
Gross Weight (kg)	317

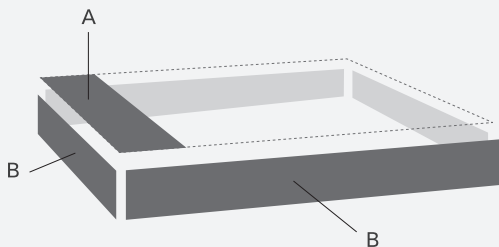


Part No.	TM601212FP-C1
Finish	Nitrided
Comes with Leg	4x TMLC30
Table Surface Height (mm)	835 ~ 1,090
Capacity / Leg (kg)	300
Gross Weight (kg)	327



ALPHA, 1,200 X 1,200 X 150 MM TABLETOP

Part No.	Finish	Dimension (mm)	Gross Weight (kg)
TM601212FP	Nitrided	1,200 x 1,200	288



INDIVIDUAL PLATES

Ref.	Part No.	Qty	Dimension (mm)	Weight (kg)	Thickness (mm)
A	TM602412FP-01	6	1,200 x 200	20.7	12
B	TM602412FP-04	4	1,188 x 138	13.4	

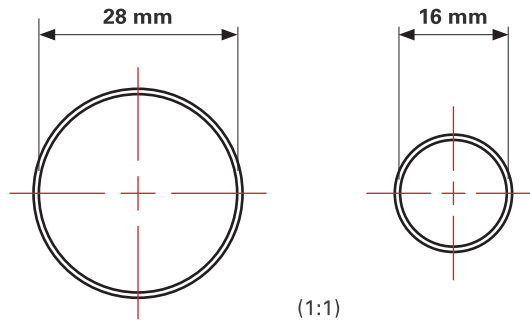


Alpha tables available in metric spacing and 28 mm, and 16 mm diameter boreholes, respectively. All top plates are constructed from heat-treated steel, hardened to 58-62 HRC, and finished with a nitrite coating with a case depth of 0.01 - 0.02 mm.

ALPHA 28 TABLES

ALPHA 16 TABLES

	ALPHA 28 TABLES	ALPHA 16 TABLES
Table Hole Dia.	28 mm	16 mm
Hole Spacing	100 mm	50 mm
Table Flatness	0.3 mm / 1,000 mm	0.3 mm / 1,000 mm
Plate Thickness	25 mm	12 mm
Tabletop Side Height	200 mm	150 mm



Check our website: buildprotables.com for more details about Alpha 28 table system.